

BassPro™

powered subwoofer
system owner's
manual

JBL

THE OFFICIAL BRAND
OF LIVE MUSIC.

THANK YOU

for choosing the JBL BassPro. BassPro has been designed to deliver great bass performance from a compact, easily installed powered subwoofer enclosure.

To get the best performance from your BassPro, we strongly recommend that installation be entrusted to a qualified professional. Although these instructions explain how to install BassPro in a general sense, they do not show specific installation methods that may be required for your particular vehicle. If you do not have the necessary tools or experience, do not attempt the installation yourself. Instead, please ask your authorized JBL car audio dealer about professional installation.

In order that we may better serve you should you require warranty service, please retain your original sales receipt and register your BassPro online at www.jbl.com.



Designed and Engineered
in the USA

INSTALLATION

WARNING: Playing loud music in an automobile can hinder your ability to hear traffic and permanently damage your hearing. We recommend listening at low or moderate levels while driving your car. JBL accepts no liability for hearing loss, bodily injury or property damage resulting from the use or misuse of this product.

INSTALLATION WARNINGS AND TIPS:

- Always wear protective eyewear when using tools.
- Disconnect the vehicle's negative (-) battery terminal before starting the installation.
- Check clearances on both sides of a planned mounting surface. Be sure that screws or wires will not puncture brake lines, fuel lines or wiring harnesses, and that wire routing will not interfere with the safe operation of the vehicle.
- When making electrical connections, make sure they are secure and properly insulated.
- If BassPro's fuse must be replaced, be sure to use the same type of fuse and current rating as that of the original.

CHOOSING A MOUNTING LOCATION FOR BASSPRO:

Choose a mounting location that doesn't interfere with cargo, the fold-down rear seat or the trunk lid. The best location is usually a corner of the trunk or cargo area, as shown in **Figures 1 and 2**.

Securely mount BassPro to the mounting surface using the four enclosed self-tapping screws. Choose a mounting location in the front of the vehicle for the remote level control.

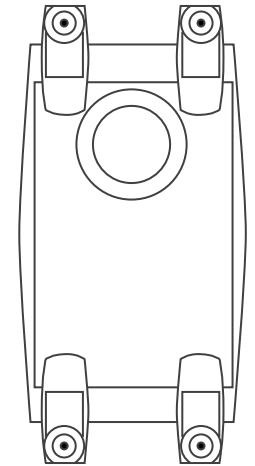


Figure 3. Bottom view of BassPro.

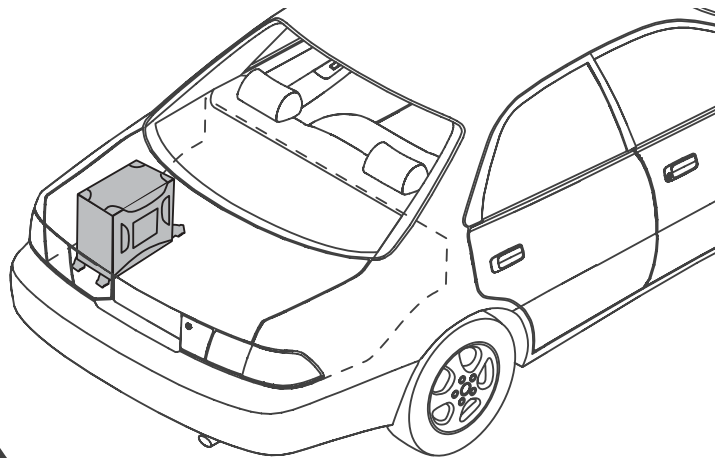


Figure 1.

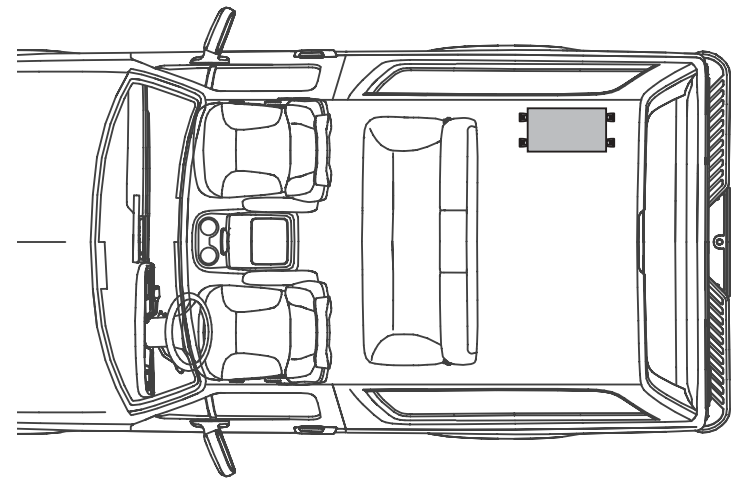


Figure 2.

JBL

INSTALLING THE REMOTE

The Subwoofer Level Control may be mounted under the dash or dismantled and mounted in the dash for a factory-installed appearance.

UNDER-DASH MOUNTING

Select a mounting location that allows easy access to the control while driving. Using the Subwoofer Level Control as a template, mark and drill holes in the mounting surface. Attach the Subwoofer Level Control using the mounting screws provided (Figure 4).

IN-DASH MOUNTING

Disassemble the Subwoofer Level Control by removing the two Phillips-head screws on the front panel, rear panel and on top. Remove the Subwoofer Level Control's bottom and side panels. Slide the Subwoofer Level Control's PC board forward to release the RJ11 connector from the back panel and remove the board along with the potentiometer, knob and connector as a single assembly.

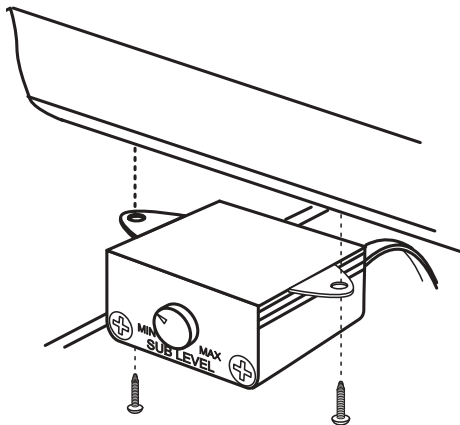


Figure 4. Under-dash mounting of the Subwoofer Level Control.

Choose a mounting location that allows easy access to the control, and provides 1-3/4" clearance behind the mounting surface. Drill a 9/32" hole in the mounting surface. Feed the Subwoofer Level Control's potentiometer shaft (with the knob removed) through the hole and use the nut and washer provided to hold the control in place (Figure 5).

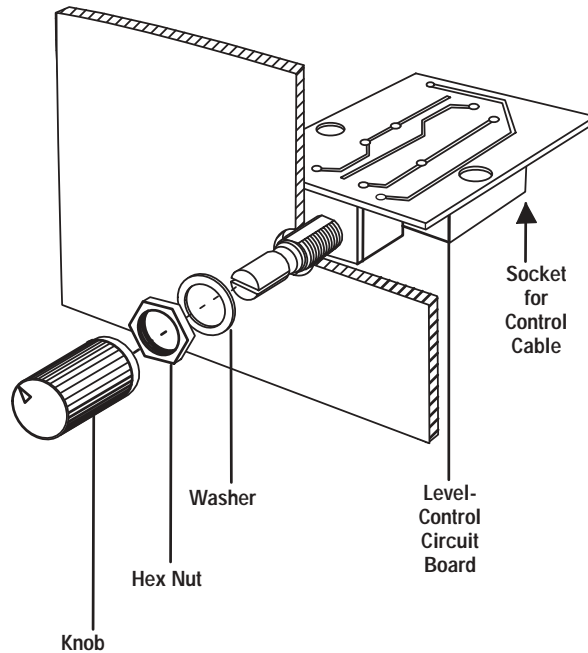


Figure 5. In-dash mounting of the Subwoofer Level Control.

CONNECTING THE SUBWOOFER LEVEL CONTROL TO BASSPRO

Route the cable behind the dash or other interior panels and under the carpet. Do not route the cable outside the vehicle. Connect the RJ11 cable between the RJ11 receptacle on the BassLink and the receptacle on the Subwoofer Level Control (Figure 6).

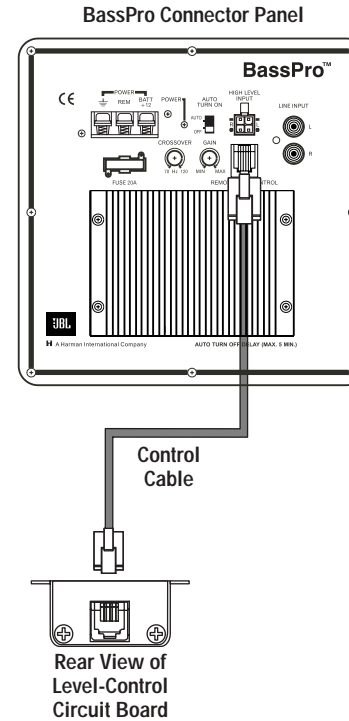


Figure 6. Subwoofer Level Control electrical connection.

POWER CONNECTIONS

Connecting power to BassPro is shown in **Figure 7**. Please observe the following installation tips:

When using the high-level input connections, BassPro will automatically turn on when you turn on your radio. In this case, the remote (REM) connection is not needed. Use at least #20 AWG speaker wire for speaker-level input connections.

Use at least #12 AWG wire for the Positive Battery (BATT +12) and Ground (⚡) connections. If needed, use at least #20 AWG wire for the remote (REM) turn-on connection.

Connect BassPro's "BATT +12V" terminal directly to the battery's positive (+) terminal. Install a fuse holder, with a 20A fuse, within 18" of the battery's positive (+) terminal.

Route all power wires through a grommet in the vehicle's firewall. If a factory grommet is not available, install one. Connect a short ground wire from BassPro's ground terminal (⚡) to the nearest bare metal surface. For a good connection, use sandpaper to clear paint from the metal surface and use a screw with a lock (star) washer.

The remote (REM) connection requires a +5 to +12 Vdc signal for BassPro to turn on when using the line-level connections. Most head units with preamp outputs provide this remote voltage signal. As an alternative, connect this terminal to a switched ignition circuit.

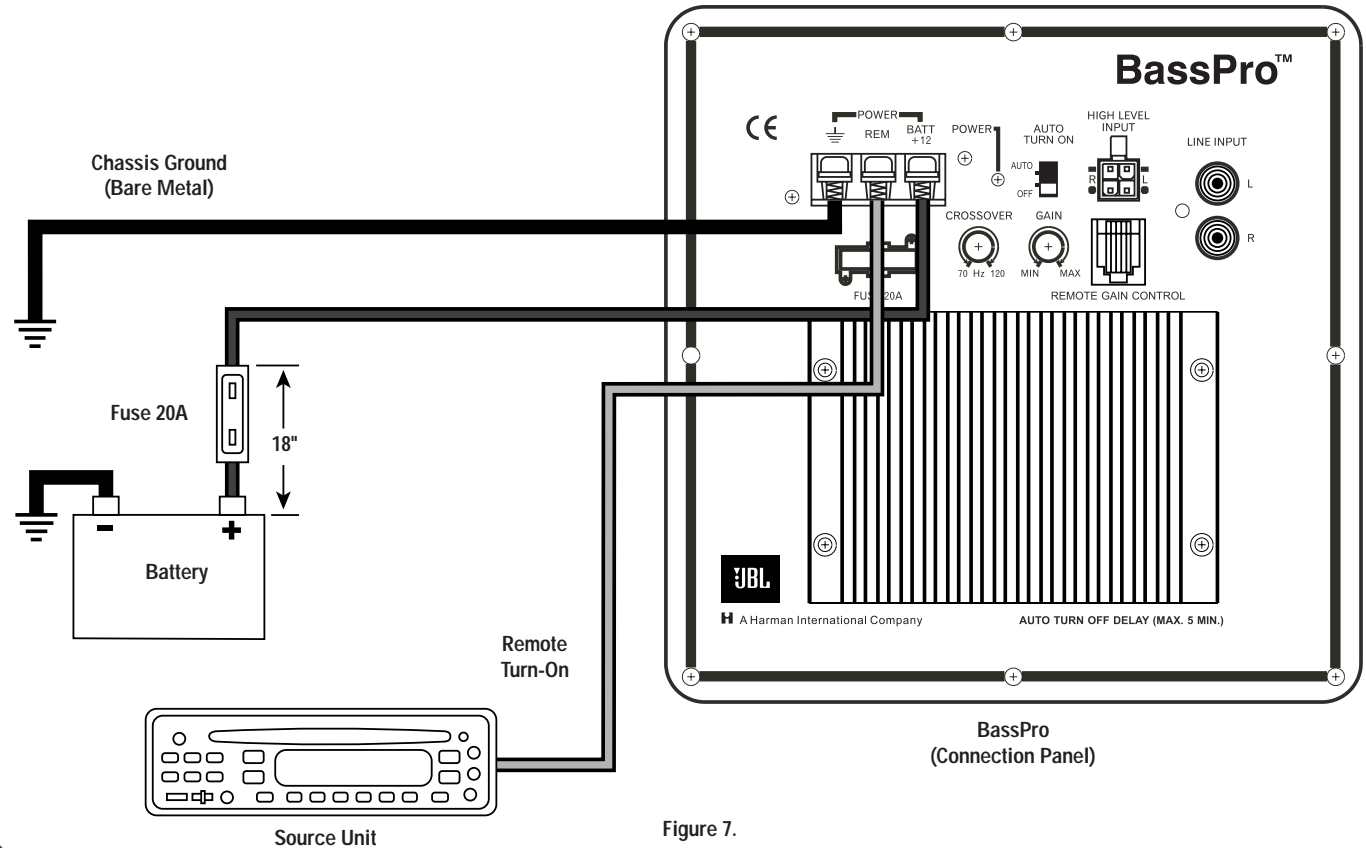


Figure 7.

APPLICATIONS

BassPro is equipped with two line-level (RCA) inputs and two high-level inputs. To help you plan the installation of BassPro, we have included two system application diagrams in **Figures 8 and 9**. For more installation suggestions, contact your local authorized JBL car audio dealer.

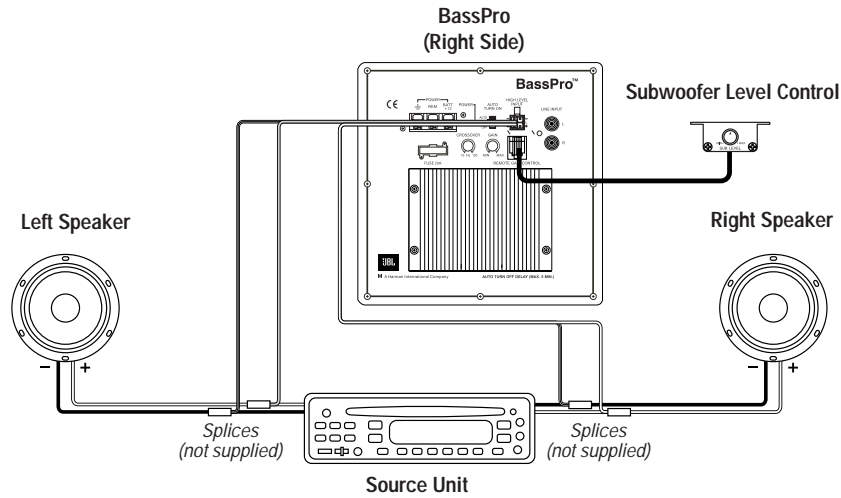
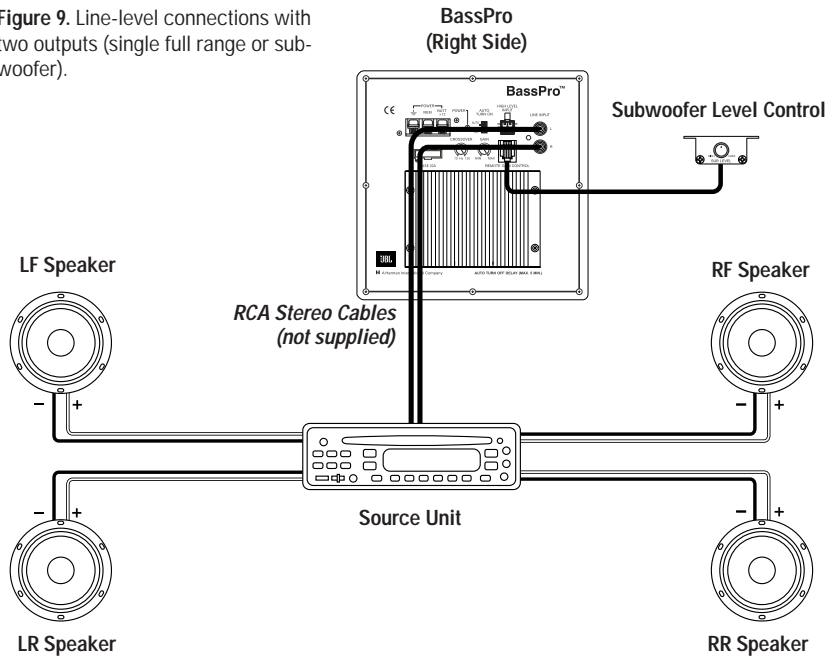


Figure 8. High-level connections. Connect BassPro's high-level inputs to either the front or rear speaker outputs of your head unit (splice crimps not included).

Figure 9. Line-level connections with two outputs (single full range or subwoofer).



CONTROLS AND FUNCTIONS

Bass Pro has controls and indicators that help simplify sonic integration with almost any vehicle's unique acoustic properties. These controls are located on the amplifier panel, as shown in **Figure 10**.

Power LED
Gain Control
Crossover
Remote Bass Control
Auto Turn-On

POWER LED: This indicator will glow red when the BassPro is operating.

GAIN CONTROL: Use this control to adjust the relative volume (loudness) of BassPro with the other speakers in the vehicle.

CROSSOVER: Use this control to adjust the amount of high-frequency information present in BassPro's output. A lower value signifies less high-frequency content.

AUTO TURN-ON: For speaker-level connections, used this switch to activate (or deactivate) BassPro's automatic turn-on circuit. For most speaker-level applications, slide the switch to the AUTO position. If you prefer to use the remote (REM) connection, slide the switch to the OFF position.

REMOTE BASS CONTROL: Use this RJ-11 jack to connect the supplied remote bass control.

SETTING THE CONTROLS:

1. Make sure the head unit is off and VOLUME control is set to minimum.
2. On BassPro's amplifier panel, set the CROSSOVER to its maximum frequency of 120Hz, as shown in **Figure 10**.

Note: If using the REMOTE BASS CONTROL, set GAIN to maximum and set the BASS CONTROL to the midpoint.

3. Turn the head unit ON and play a selection of your favorite music track that has substantial bass.
4. Adjust the CROSSOVER control counterclockwise, until you hear only low-frequency information. Example – you should not hear vocals coming from BassPro when seated in the normal listening position.
5. Adjust the BASS CONTROL either clockwise or counterclockwise to suit your taste, and to avoid audible distortion.
6. If you elect to not install the Remote Bass Control, adjust the GAIN control to the maximum level that provides undistorted output from the BassPro, with the head unit's volume control at its 3 o'clock setting.

Note: In most cases the above steps will provide you with satisfactory results. However, the actual process may require several readjustments of each control, since the settings will interact with one another. If necessary, consult your authorized JBL car audio dealer for help in tuning your system.

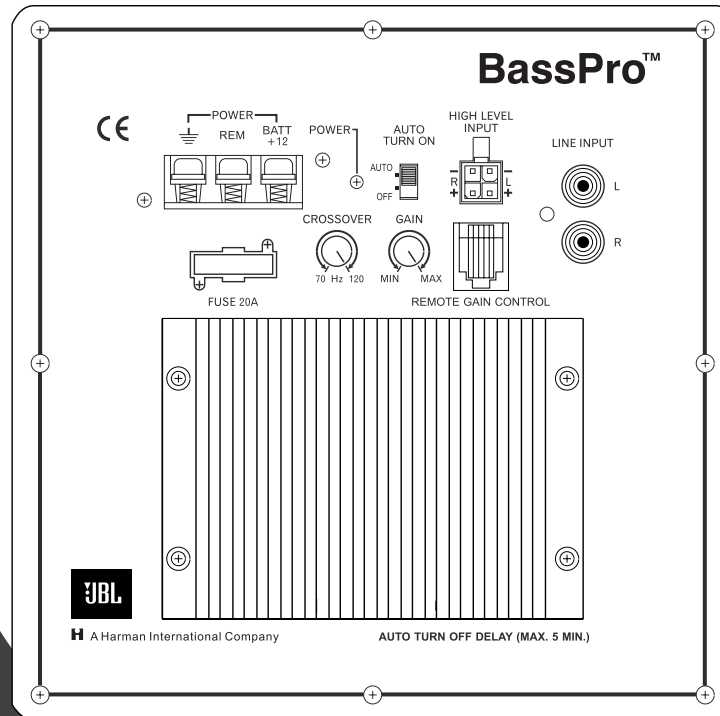


Figure 10.

TROUBLESHOOTING

PROBLEM	CAUSES AND SOLUTIONS
POWER LED not lit.	<ol style="list-style-type: none">1. Fuse is blown and needs replacement.2. Head unit not functioning properly.3. Check remote turn-on, power and ground connections.
POWER LED is lit but there is no bass.	<ol style="list-style-type: none">1. Inputs are not connected. Check connections.2. Head-unit fader controls are not set properly. Adjust head-unit controls to feed audio signals to BassPro.3. Incorrect GAIN control setting.
Output sounds muddy or distorted.	<ol style="list-style-type: none">1. GAIN is set too high.2. Bass level is set too high on head unit.3. Head unit output is distorted or blown. See your authorized JBL car audio dealer.
Output gets louder when the head-unit balance is adjusted to L or R.	Using speaker-level connection: one of the speaker connections is reversed (+/-). Reverse one channel.
POWER LED remains ON after system is turned off.	Speaker-level connections have a five-minute turn-off delay. Check the unit at a later time.



SPECIFICATIONS

Amplifier power:	100 Watts
Frequency response:	20Hz – 120Hz
Fuse rating:	20A
Max current draw:	12A
Idle current draw:	<800mA
Input sensitivity:	50mV to 4V Line-level input; 1V to 16V universal interface
Crossover frequency:	70Hz – 120Hz
Crossover slope:	12dB
Dimensions (L x W x H): (includes mounting feet)	16-1/8" x 9-1/2" x 12-1/4" (410mm x 242mm x 312mm)

Declaration of Conformity



We, Harman Consumer International
2, route de Tours
72500 Chateau-du-Loir
FRANCE

declare in own responsibility, that the product
described in this owner's manual is in compliance
with technical standards:

EN 55013/A14:1999
EN 55020/A14:1999

Emmanuel Millot
Harman Consumer
International
Chateau-du-Loir, France 3/03

JBL Consumer Products
250 Crossways Park Drive, Woodbury, NY 11797 USA
1.800.336.4JBL (4525) • FAX 1.516.682.3523 • www.jbl.com
© 2003 Harman International Industries, Incorporated
JBL is a registered trademark of
Harman International Industries, Incorporated.
Part No. BASSPROOM3/03

H A Harman International Company